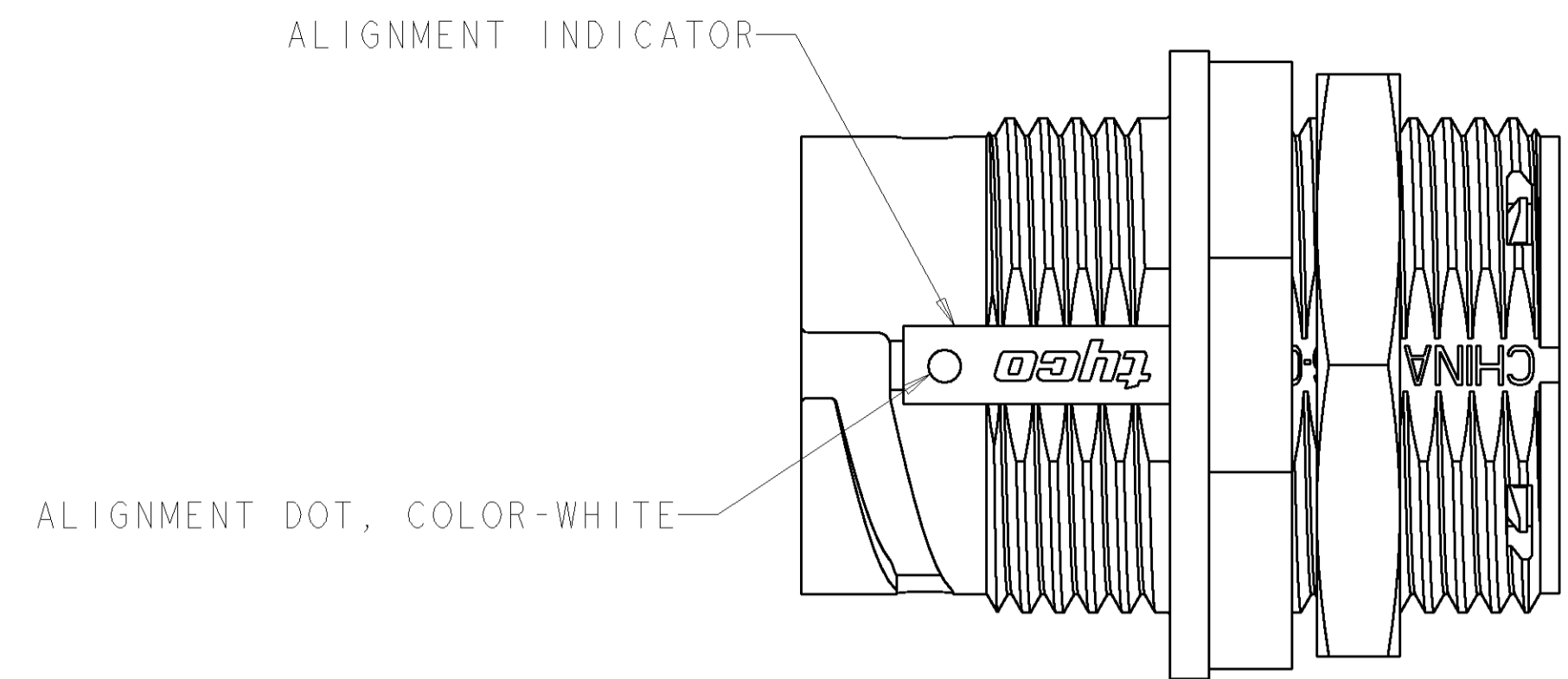
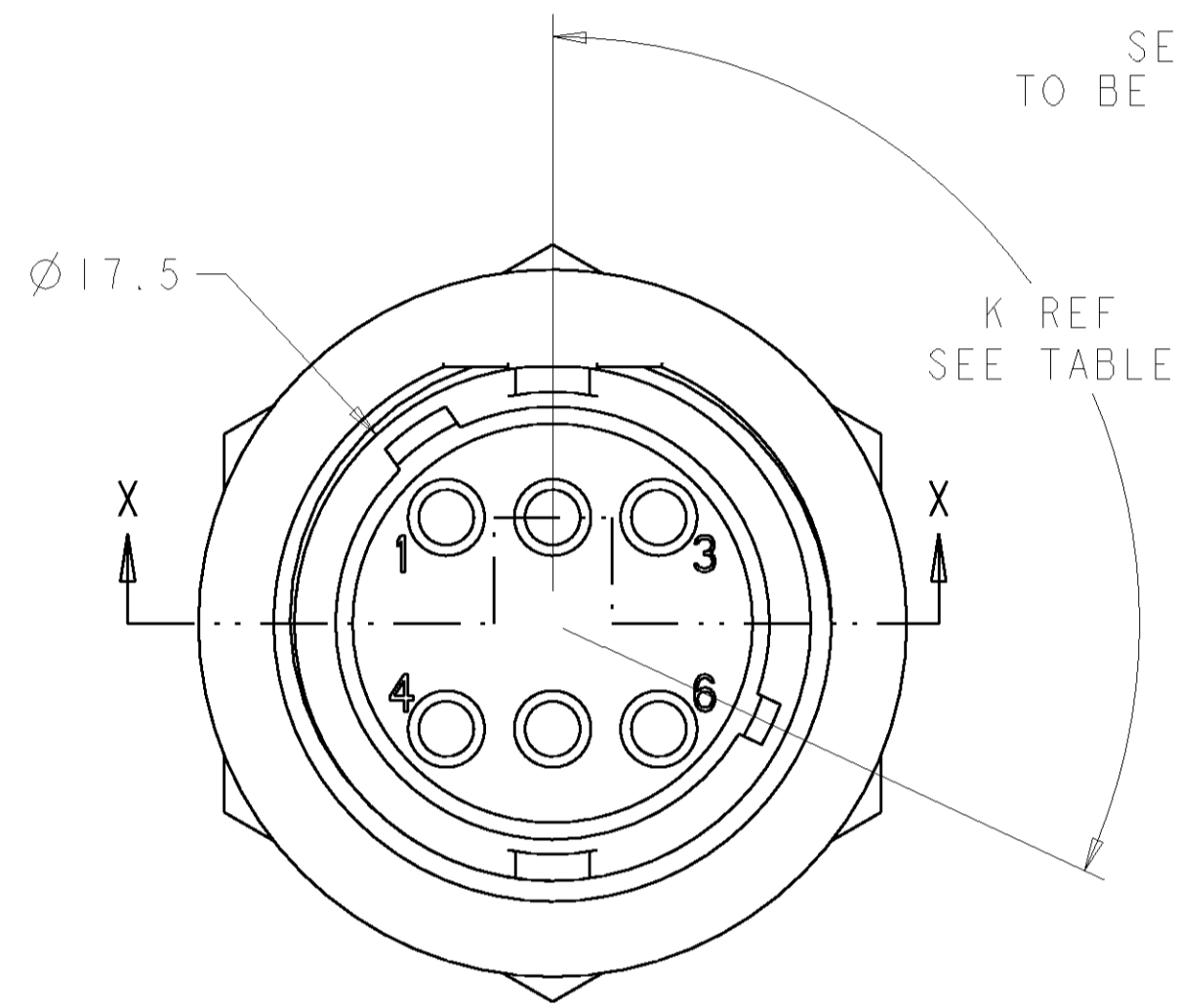


| LOC | DIST | REVISIONS | | | | | |
|-----|------|-----------|-----|-------------------------|-----------|-----|------|
| FT | 0 | P | LTR | DESCRIPTION | DATE | DWN | APVD |
| | | A | | REVISED EC 063B-0326-03 | 13JUN2003 | SW | HW |
| | | B | | REVISED EC 063B-0390-04 | 25MAY2004 | SW | HW |

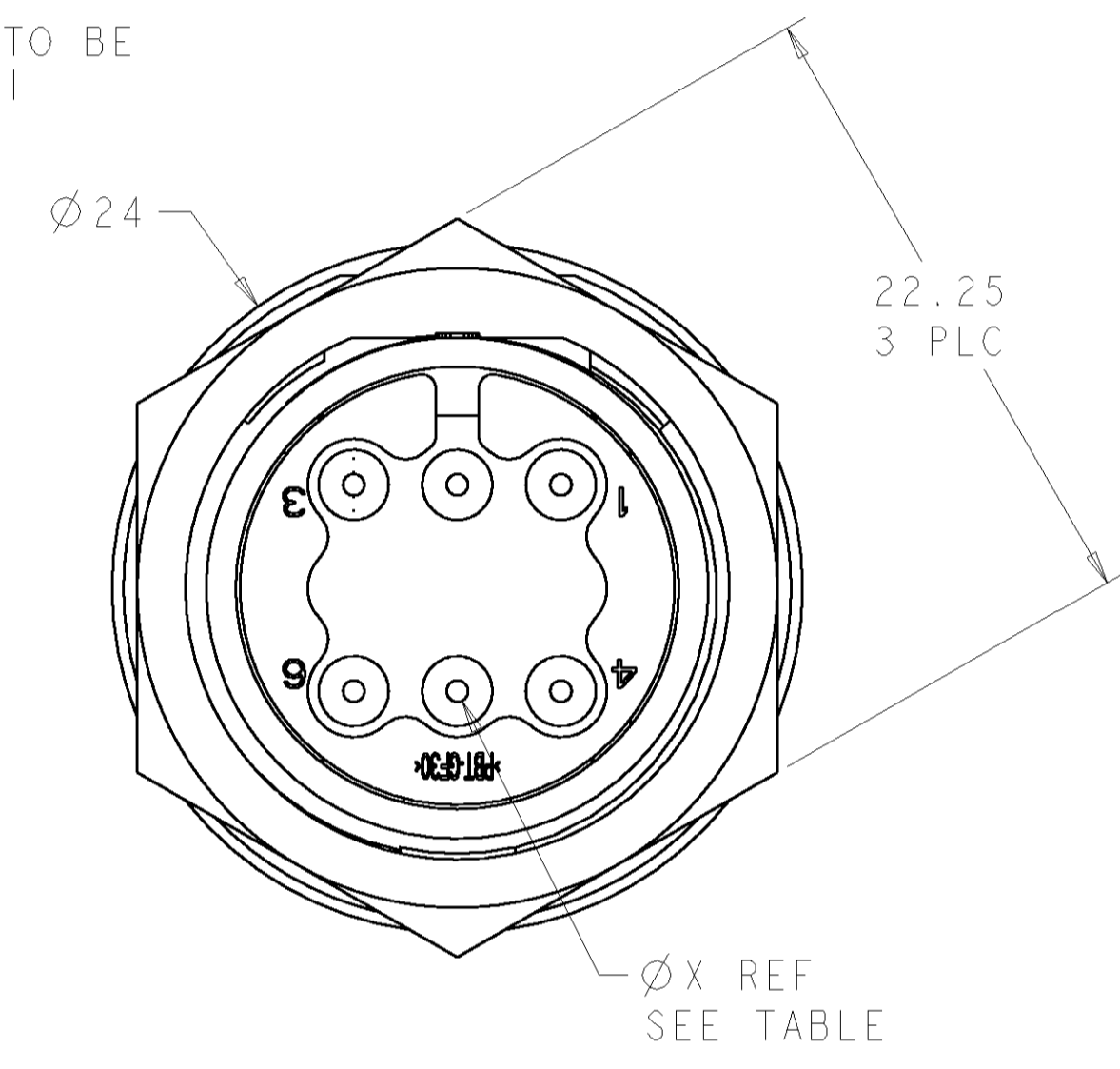
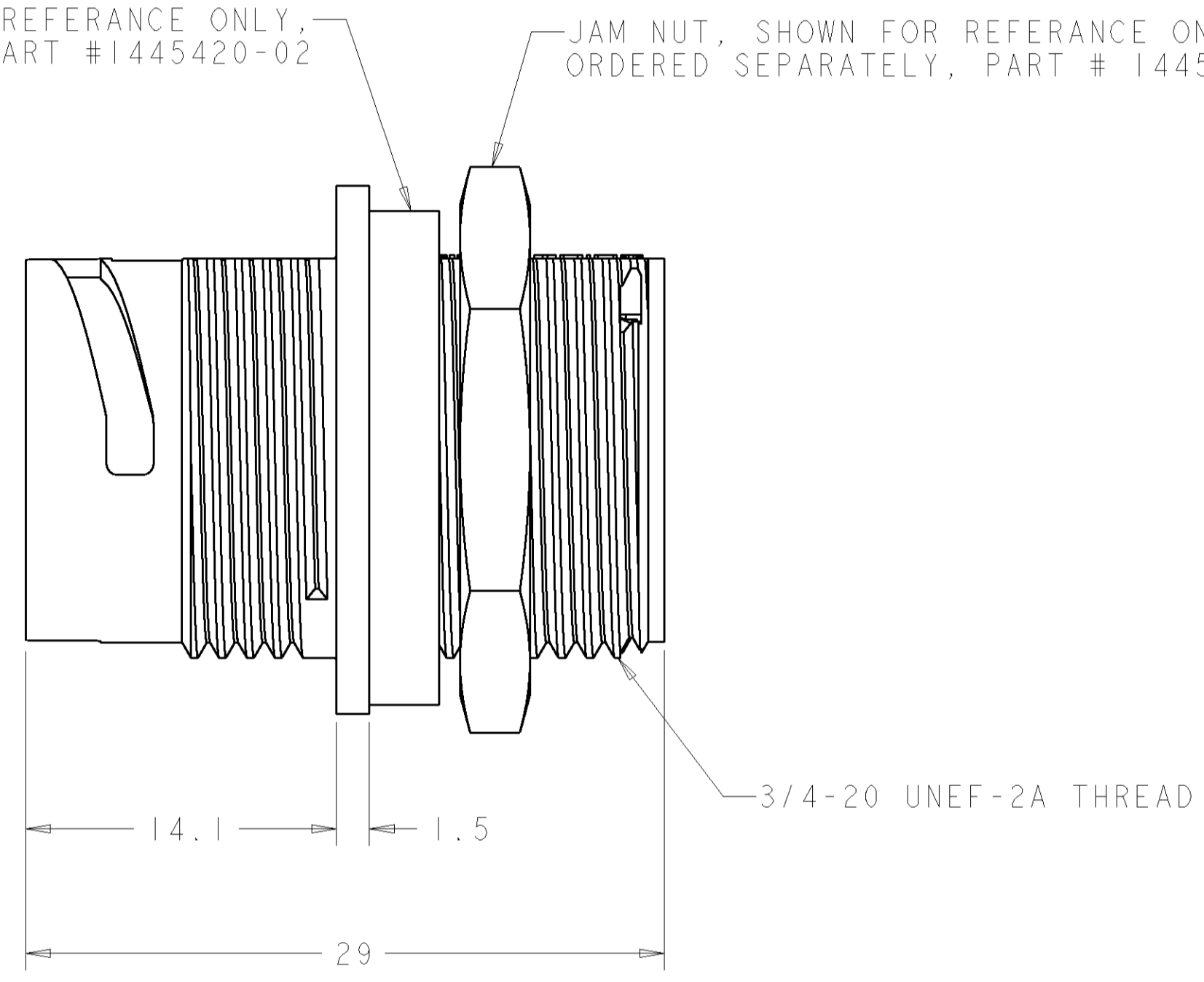


QUALIFICATION TEST PENDING

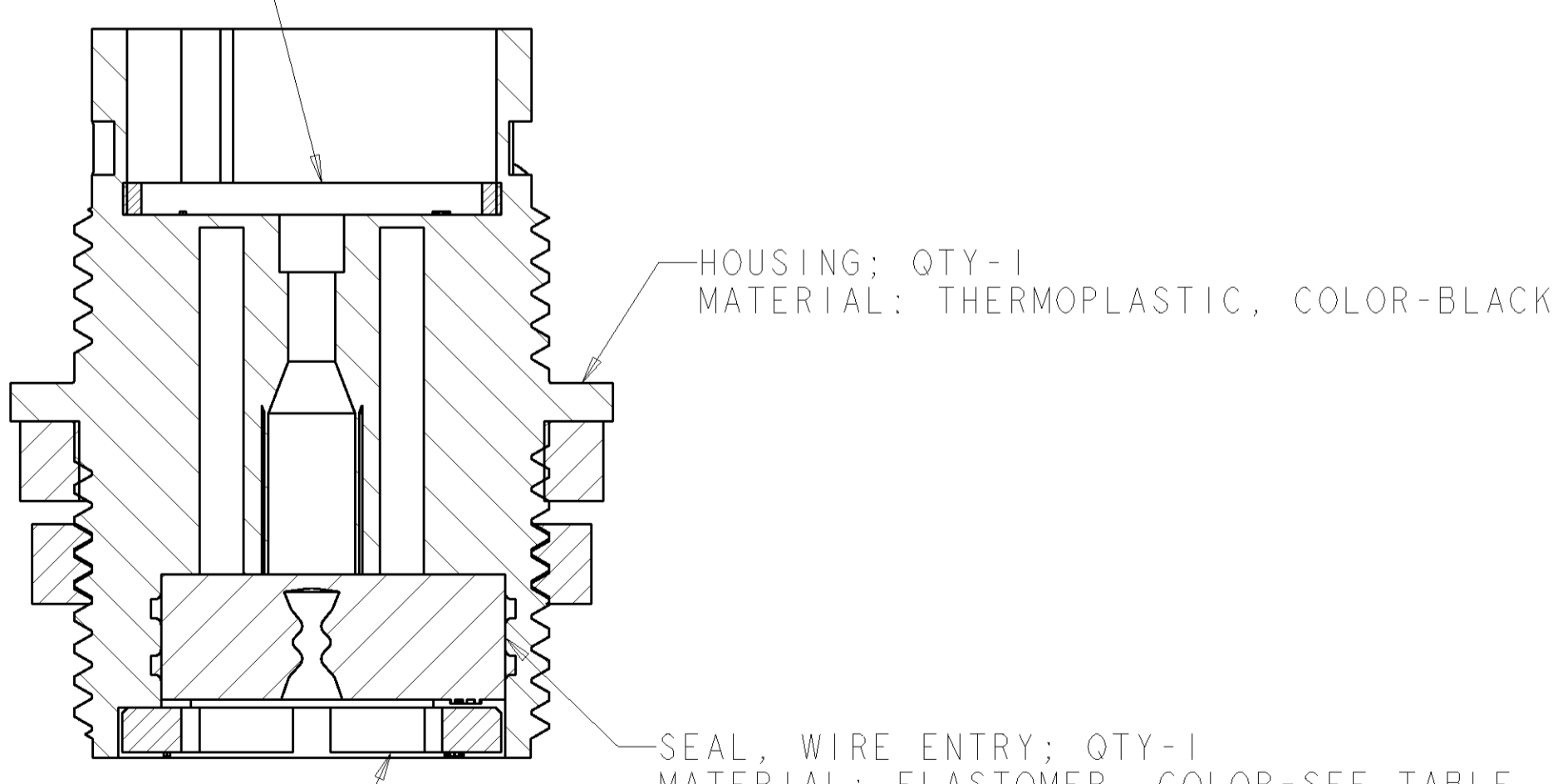


SEAL, PANEL, SHOWN FOR REFERENCE ONLY, TO BE ORDERED SEPARATELY, PART #1445420-02

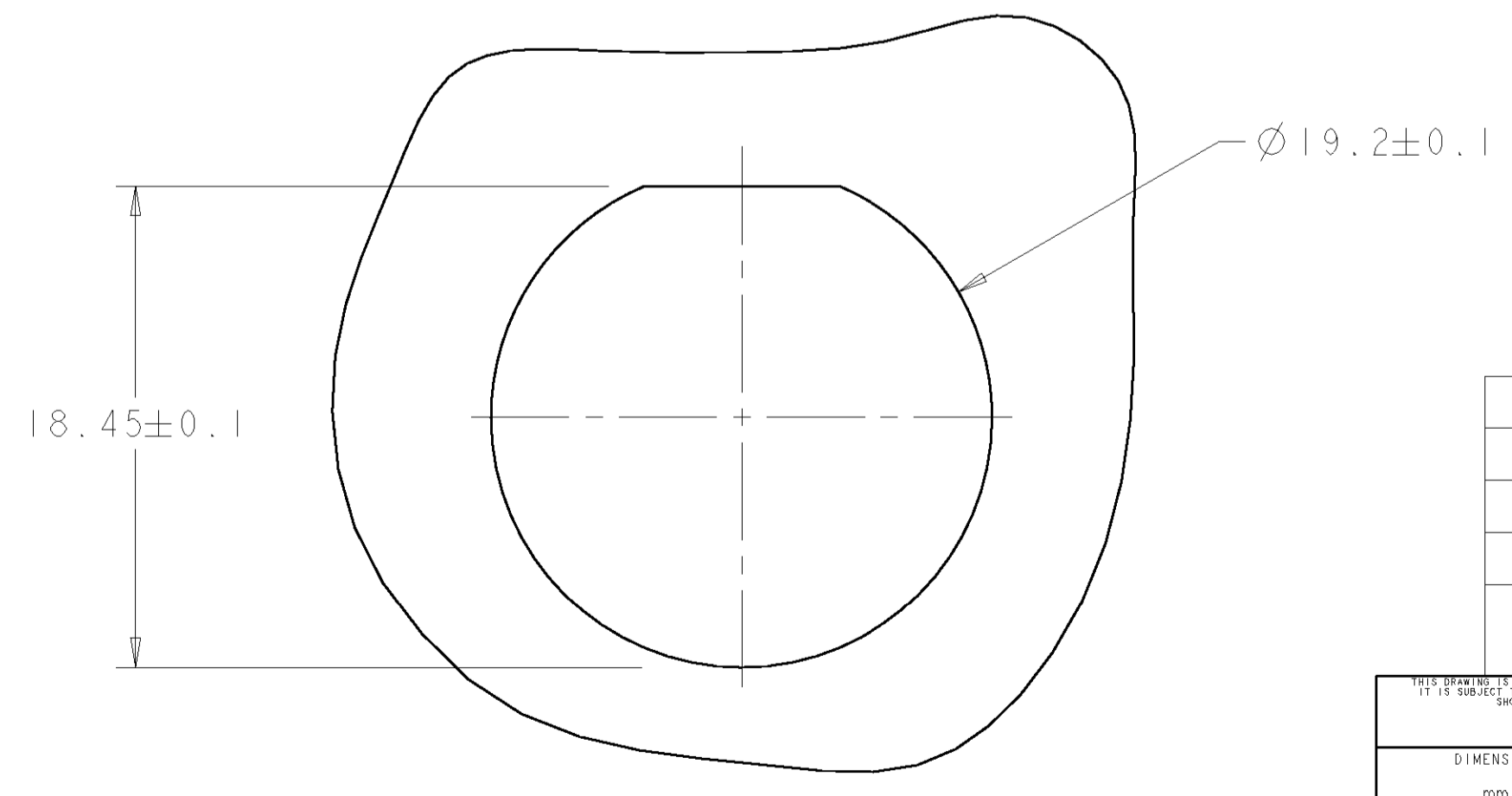
JAM NUT, SHOWN FOR REFERENCE ONLY, TO BE ORDERED SEPARATELY, PART # 1445904-1



SEAL, PERIPHERAL; QTY-1
MATERIAL: ELASTOMER, COLOR-GRAY



1. CONNECTOR CAN BE FRONT OR REAR PANEL MOUNTED.
 △ MAX PANEL THICKNESS - 3.18



SUGGESTED PANEL CUTOUT △

| SEAL, WIRE ENTRY COLOR | ØX REF | K REF | PART NUMBER |
|------------------------|--------|-------|-------------|
| YELLOW | Ø0.75 | 135° | 1445823-04 |
| NATURAL | Ø1.5 | 115° | 1445823-03 |
| NATURAL | Ø1.5 | 135° | 1445823-02 |
| YELLOW | Ø0.75 | 115° | 1445823-01 |

| | | | | | | | |
|-----------------------|--|---|--|---|--|---|--|
| DIMENSIONS: mm | | TOLERANCES UNLESS OTHERWISE SPECIFIED: 0 PLC ± 1 PLC ±0.13 2 PLC ± 3 PLC ± 4 PLC ± ANGLES ± | | DWN SHANE WIEST 15OCT2001 ENR G DOUTY 15OCT2001 APVD H WAKEEM 13JUN2003 | | tyco Electronics Tyco Electronics Harrisburg, PA 17105-3608 | |
| MATERIAL SEE CALLOUT | | FINISH SEE CALLOUT | | WEIGHT - CUSTOMER DRAWING | | NAME ASSEMBLY, RECEPTACLE, SIZE 11, 6 POSITION, PANEL MOUNT, SEALED, MINI CPC SIZE CAGE CODE DRAWING NO RESTRICTED TO A 00779 C-1445823 - SCALE 4:1 SHEET 1 OF 1 REV B | |